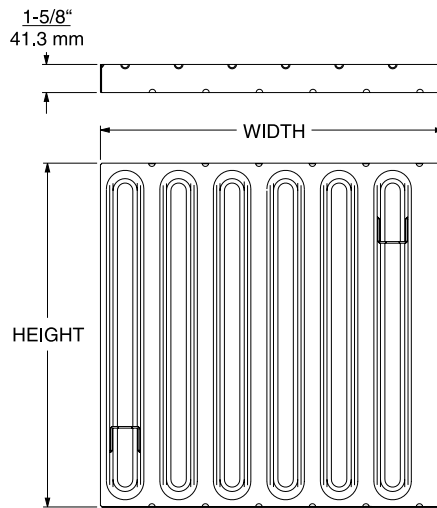


## 7001 Series Trapper® Grease Filters



© U.S. Trademarks 4,069,446;  
4,069,447 & 4,069,448



- Smooth, aerodynamic baffles pick up more airborne grease and promote better grease drain-off
- Strong, two-piece construction ensures a dependable flame barrier and efficient grease removal
- Easy installation and fast-clean up reduce your maintenance costs
- Durable baffle plates are secured to frame and will not rattle or disconnect
- Available in stainless steel (NSF), aluminum (NSF), and galvanized steel
- Includes two stainless steel snap-in drop handles
- NSF International
- Underwriters Laboratories (file #R13192)
- Underwriters Laboratories of Canada (file #CR2353)
- NFPA Code #96, City of New York, Dept. of Buildings (MEA 133-91-M)
- City of Los Angeles
- State of Michigan
- State of Maryland

### Stock Sizes and Areas

Nominal H x W Inches	Effective Area SQ. Feet (SQ. Meters)
10x16	0.78 (0.072)
10x20	1.00 (0.093)
12x16	0.97 (0.09)
12x20	1.25 (0.116)
16x16	1.36 (0.126)
16x20	1.75 (0.163)
16x25	2.24 (0.208)
20x20	2.25 (0.209)
20x25	2.88 (0.268)

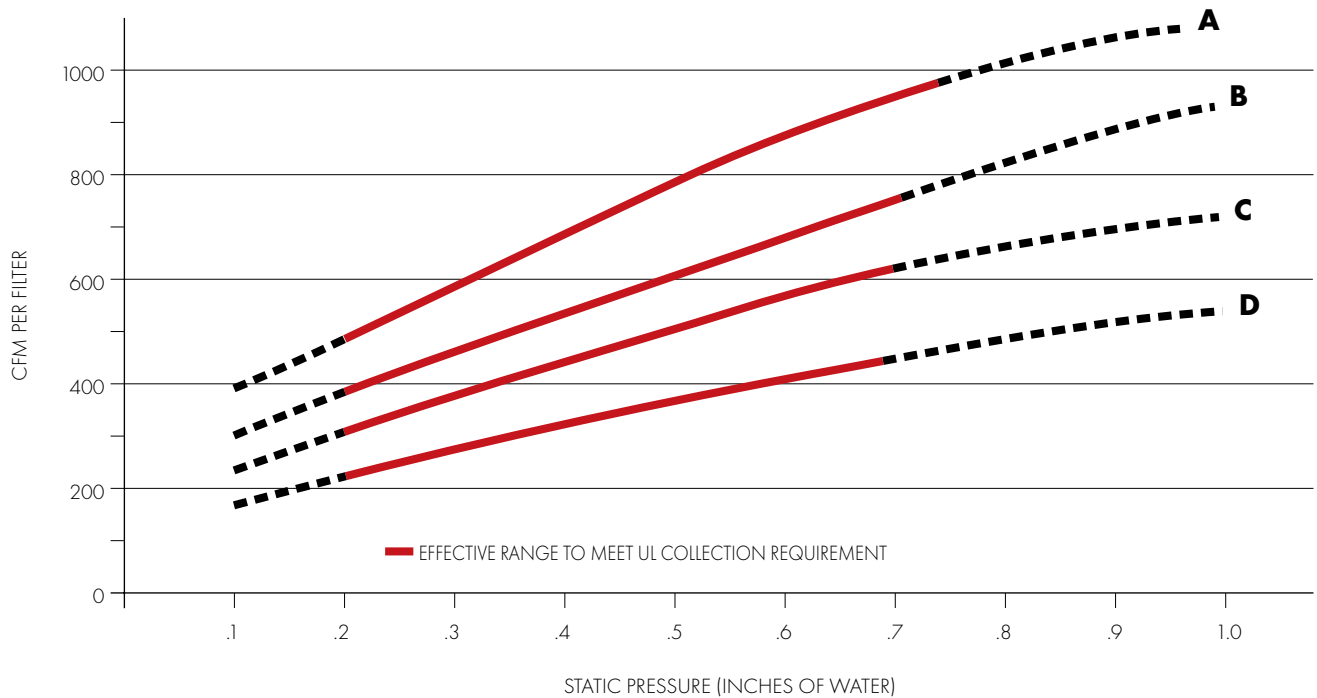
7000LOCKHL Locking handles, set of two,  
for all Trapper® models

### Optional Locking Handle



Locking handles available where required.





- A** - 20" x 25", 25" x 20"
- B** - 16" x 25", 25" x 16", 20" x 20"
- C** - 16" x 20", 20" x 16"
- D** - 16" x 16"

Size: H x W Inches (cm)*	Stainless Steel	Aluminum	Galvanized Steel
	Part No.	Part No.	Part No.
10x16 (25x41)	67001001016	67002001016	67003001016
10x20 (25x50)	67001001020	67002001020	67003001020
12x16 (30x41)	67001001216	67002001216	67003001216
12x20 (30x50)	67001001220	67002001220	67003001220
16x16 (41x41)	67001001616	67002001616	67003001616
16x20 (41x50)	67001001620	67002001620	67003001620
16x25 (41x64)	67001001625	67002001625	67003001625
20x16 (50x41)	67001002016	67002002016	67003002016
20x20 (50x50)	67001002020	67002002020	67003002020
20x25 (50x64)	67001002025	67002002025	67003002025
25x16 (64x41)	67001002516	67002002516	67003002516
25x20 (64x50)	67001002520	67002002520	67003002520

Effective Range Limits Static Pressure Chart

CFM Per Filter	Effective Range Limits Static Pressure Chart				
	16x16	16x20 20x16	16x25 25x16	20x20	20x25 25x20
200	0.12				
250	0.20	0.11			
300	0.29	0.17			
350	0.41	0.24	0.14	0.12	
400	0.53	0.30	0.19	0.18	
450	0.67	0.36	0.26	0.24	0.15
500		0.44	0.32	0.30	0.19
550		0.56	0.38	0.36	0.23
600		0.64	0.45	0.43	0.28
650			0.52	0.50	0.33
700			0.59	0.57	0.38
750			0.66	0.64	0.44
800					0.49
850					0.55
900					0.61
950					0.67
1000					0.72

\*First number indicates vertical height; second number indicates width. Both are commercial nominal dimensions. Actual sizes are 0.5" (13 mm) less than nominal.