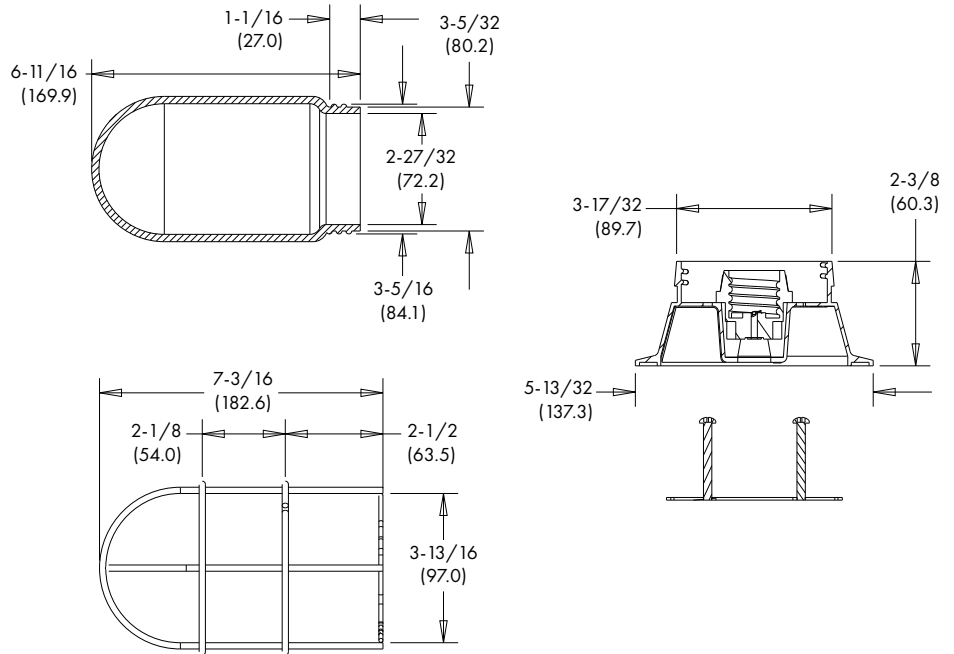


1801 Quick-Mount Hood Fixture

Part Number: 118010000*



FEATURES

- Quick-mount base installs to junction box in one-third the time of standard surface mount fixture
- Sanitary, rustproof cast aluminum fixture
- Impact and thermal shock-resistant, clear tempered or coated glass globe
- Easy mounting to standard junction box
- Meets requirements for NFPA Code 96 and NEC 410

*Part No.	Description
11801000013	Hood Light Housing, UL
61801000004 ¹	Clear Tempered Glass Globe for 1801-13
61801000044	PFA Coated Tempered Glass Globe for 1801-13

¹NSF Listed Components

MATERIALS

- Die-cast aluminum alloy body, brushed finish
- Clear tempered globe with or without PFA shatter proof coating
- Porcelain socket, nickel-plated copper shell with 150°C wire leads
- Closed cell silicone gaskets
- Back plate and screws: Steel, zinc plated

DESIGN CRITERIA

- Medium base socket
- Rated 250 VAC and 660 W
- 6" (152 mm) wire leads, maximum 100 W bulb (not included)
- Housing and globe 5-1/2" dia. x 8-1/2" high (140 x 216 mm)
- Mounts to standard 3-1/2" (89 mm) or 4" (102 mm) junction box
- UL listed, file No. E57013



1801 Quick-Mount Hood Fixture

Part Number: 118010000*

