

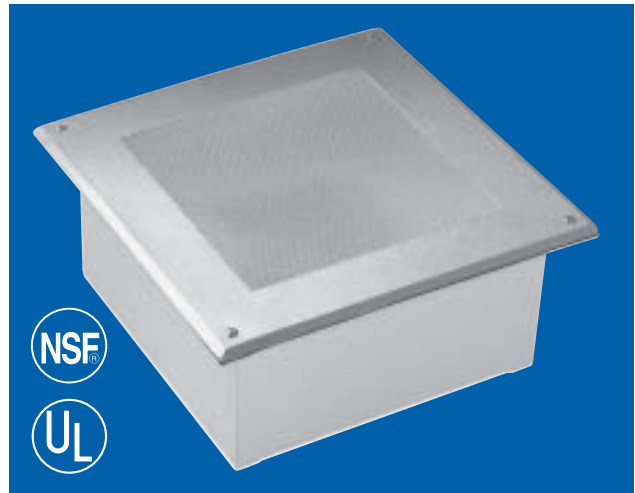
RECESSED INCANDESCENT HOOD FIXTURE

- Waterproof, greaseproof and heat resistant fixture.
- Meets requirements for NFPA Code 96 and NEC 410.
- Sanitary stainless steel frame.
- Low profile recessed housing.
- Shock-resistant, tempered glass, diffusing lens.
- Silicone rubber gasket for liquid-tight seal.

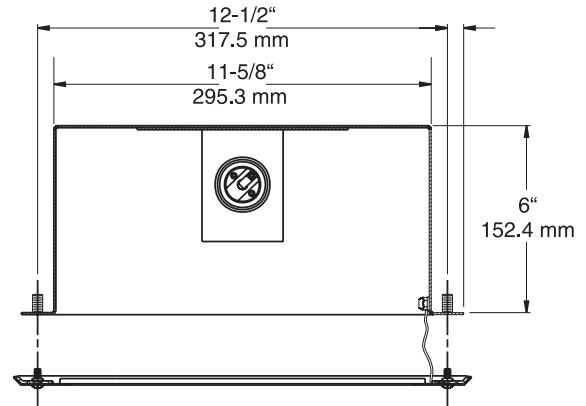
SPECIFICATIONS

HOUSING: Heavy gauge steel, white baked enamel finish.	LENS: Shatter-resistant, textured, tempered glass.	LAMP: Accepts max. 150W bulb (not included).
FRAME: One piece, heavy duty satin finish stainless steel.	GASKET: Silicone rubber sponge.	LIGHT OUTPUT: See charts, page F-48.
MOUNTING: 5/16"-24 coaxial studs.	REFLECTOR: Polished sheet metal.	PACKAGING: 1 per carton.
	SOCKET: High quality porcelain.	

Model No.	Description	Weight/Carton
1812000212	Fixture, 12" (30.5 cm) Square Opening	11.1 lb. (5.1 kg)



ITEM # 1812-212



1812-212

SURFACE MOUNTED HOOD FIXTURE

- Sanitary, rustproof cast aluminum fixture.
- Impact and thermal shock-resistant, coated tempered glass globe.
- Easy mounting to standard junction box.
- Meets requirements for NFPA Code 96 and NEC 410.

SPECIFICATIONS

BODY: Die-cast aluminum alloy, brushed finish.	LAMP: Accepts 100W bulb max. (not included).	SIZE: Housing and globe, 5-1/2" (14.0 cm) dia. x 8-1/2" (21.6 cm) high.
GLOBE: Silicone rubber coated tempered glass.	GASKETS: Silicone.	MOUNTING: To standard 3-1/2" (8.9 cm) or 4" (10.2 cm) junction box.
SOCKET: Porcelain body, nickel-plated copper shell.	WIRE LEADS: 6" (15.2 cm) long.	

Model No.	Description	Quantity/ Carton	Weight/Carton
1801G00003	Fixture Housing	25	29 lb. (13.2 kg)
1801000004	Globe for 1801	25	27 lb. (12.3 kg)



ITEM # 1801