



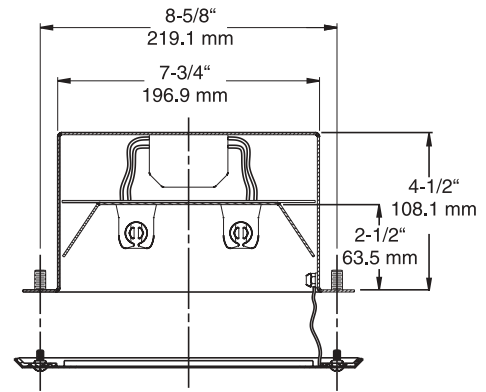
RECESSED FLUORESCENT FIXTURES

RECESSED FLUORESCENT HOOD FIXTURES

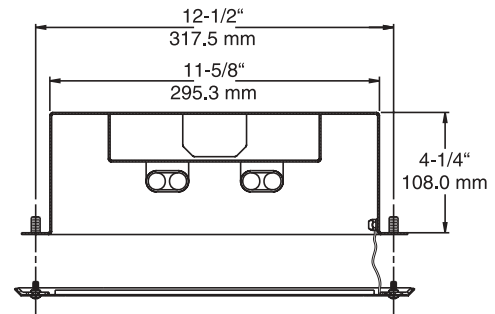
- Designed for pre-wired commercial cooking hoods.
- Waterproof, greaseproof and heat resistant.
- Low profile recessed housing.
- Silicone rubber gasket for liquid-tight seal.
- High-power, low energy standard ballast or energy efficient electronic T-8 ballast.
- Sanitary stainless steel lens frame fastens with captive stainless steel screws for security and convenient servicing.
- Impact and shock-resistant, tempered glass diffusing lens.
- Compact 12 in. sq. fluorescent fixture provides better light and longer life at lower wattage than same size incandescent fixture.

SPECIFICATIONS

<p>HOUSING: Heavy steel, welded construction, gloss white baked enamel finish inside and outside.</p> <p>FRAME: One piece, heavy duty stainless steel, satin finish; retained to housing with tether cables.</p> <p>MOUNTING: 5/16"-24 coaxial studs.</p> <p>LENS: Shatter-resistant, textured, tempered glass diffuser.</p>	<p>REFLECTOR: Symmetrical sheet metal, white baked enamel finish.</p> <p>GASKET: Silicone rubber sponge.</p> <p>SOCKETS: Standard.</p> <p>BALLAST: Standard - 60°F start, high-power factor, low energy, or T-8 - for energy-efficient lamps.</p>	<p>LIGHT OUTPUT: See charts, page D-5.</p> <p>LAMPS: See ordering information.</p> <p>STANDARDS: Meet requirements for NFPA Code 96 and NEC 410.</p> <p>PACKAGING: 1 per carton.</p>
--------------------------------------------------------------------------------------------------------------------------------------------------------------------------------------------------------------------------------------------------------------------------------------------------------------------------------------------------------------------------	-----------------------------------------------------------------------------------------------------------------------------------------------------------------------------------------------------------------------------------------------------------------------------------------------	----------------------------------------------------------------------------------------------------------------------------------------------------------------------------------------------------------------------------------



1824 SERIES



1812-214

Model No.	Description	Lamp Accepted (not included)	Wgt./Carton
1824000224	Fixture w/Std. Ballast, 24" (61 cm) L	F40	17.4 lb. (7.9 kg)
1824000236	Fixture w/Std. Ballast, 36" (61 cm) L	F40	24.5 lb. (11.1 kg)
1824000248	Fixture w/Std. Ballast, 48" (61 cm) L	F40	30.6 lb. (13.9 kg)
1824000324	Fixture w/T-8 Ballast, 24" (61 cm) L	F32T8	17.4 lb. (7.9 kg)
1824000336	Fixture w/T-8 Ballast, 36" (61 cm) L	F32T8	24.5 lb. (11.1 kg)
1824000348	Fixture w/T-8 Ballast, 48" (61 cm) L	F32T8	30.6 lb. (13.9 kg)
1812000214	Fixture w/Std. Ballast, 12" (30.5 cm) Square Opening	2, 13W Compact Fluorescent	12.2 lb. (5.5 kg)

