



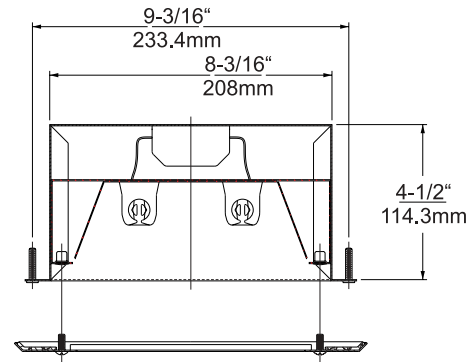
RECESSED FLUORESCENT FIXTURES

RECESSED FLUORESCENT HOOD FIXTURES

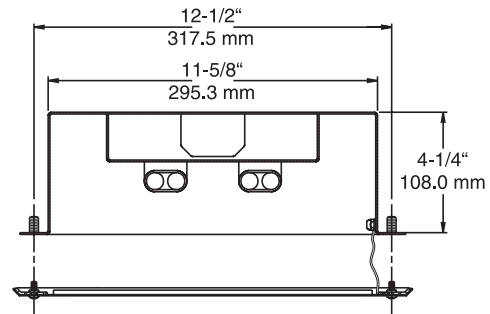
- Designed for pre-wired commercial cooking hoods.
- Waterproof, greaseproof and heat resistant.
- Low profile recessed housing.
- Silicone rubber gasket for liquid-tight seal.
- More light for less energy with energy efficient electronic T-8 ballast.
- Sanitary stainless steel lens frame fastens with captive stainless steel screws for security and convenient servicing.
- Impact and shock-resistant, tempered glass diffusing lens.
- Compact 12 in. sq. fluorescent fixture provides better light and longer life at lower wattage than same size incandescent fixture.

SPECIFICATIONS

<p>HOUSING: Heavy steel, welded construction, gloss white baked enamel finish inside and outside.</p> <p>FRAME: One piece, heavy duty stainless steel, satin finish; retained to housing with tether cables.</p> <p>LENS: Shatter-resistant, textured, tempered glass diffuser.</p>	<p>REFLECTOR: Symmetrical sheet metal, white baked enamel finish.</p> <p>GASKET: Silicone rubber sponge.</p> <p>SOCKETS: Standard.</p> <p>BALLAST: T-8 - for energy-efficient lamps.</p>	<p>LIGHT OUTPUT: See charts, page F-56.</p> <p>LAMPS: See ordering information.</p> <p>STANDARDS: Meet requirements for NFPA Code 96 and NEC 410.</p> <p>PACKAGING: 1 per carton.</p>
--	--	---



1824 SERIES



1812-214

Model No.	Description	Lamp Accepted (not included)	Wgt./Carton
1824001336	Fixture, 36" (914mm) L	F32T8	24.5 lb. (11.1kg)
1824001348	Fixture, 48" (1219mm) L	F32T8	30.6 lb. (13.9kg)
1812000214	Fixture, 12" (305mm) Square Opening	2, 13W Compact Fluorescent	12.2 lb. (5.5kg)



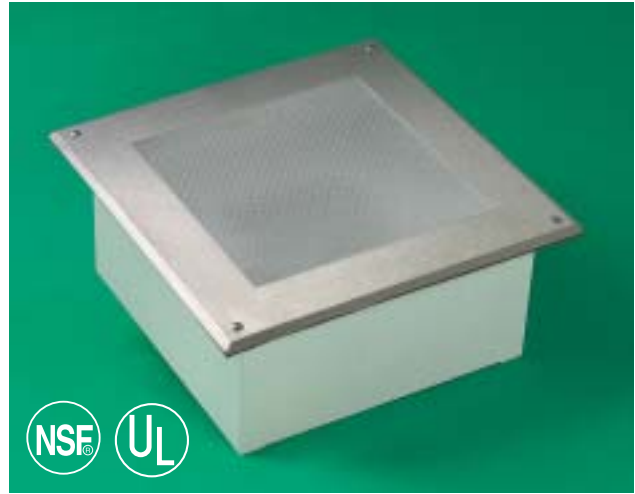
RECESSED INCANDESCENT HOOD FIXTURE

- Waterproof, greaseproof and heat resistant fixture.
- Meets requirements for NFPA Code 96 and NEC 410.
- Sanitary stainless steel frame.
- Low profile recessed housing.
- Shock-resistant, tempered glass, diffusing lens.
- Silicone rubber gasket for liquid-tight seal.

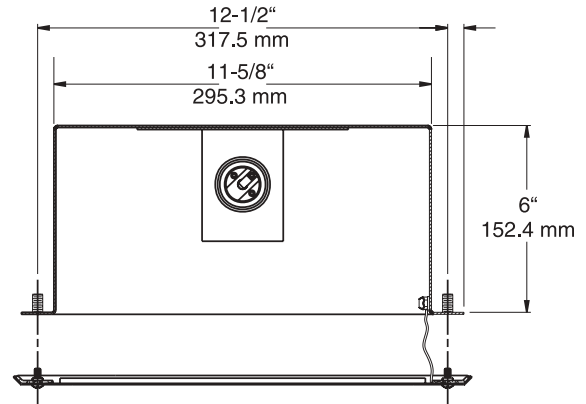
SPECIFICATIONS

HOUSING: Heavy gauge steel, white baked enamel finish.	LENS: Shatter-resistant, textured, tempered glass.	LAMP: Accepts max. 150 W bulb (not included).
FRAME: One piece, heavy duty satin finish stainless steel.	GASKET: Silicone rubber sponge.	LIGHT OUTPUT: See charts, page F-56.
MOUNTING: 5/16"-24 coaxial studs.	REFLECTOR: Polished sheet metal.	PACKAGING: 1 per carton.
	SOCKET: High quality porcelain.	

Model No.	Description	Weight/Carton
1812000212	Fixture, 12" (30.5cm) Square Opening	11.1 lb. (5.1kg)



ITEM # 1812-212



1812-212

SURFACE MOUNTED HOOD FIXTURE

- Sanitary, rustproof cast aluminum fixture.
- Impact and thermal shock-resistant, coated tempered glass globe.
- Easy mounting to standard junction box.
- Meets requirements for NFPA Code 96 and NEC 410.

SPECIFICATIONS

BODY: Die-cast aluminum alloy, brushed finish.	WATTAGE: 100 W bulb max. (not included).	SIZE: Housing and globe, 5-1/2" (14.0cm) dia. x 8-1/2" (21.6cm) high.
GLOBE: Silicone rubber coated tempered glass.	GASKETS: Silicone.	MOUNTING: To standard 3-1/2" (8.9cm) or 4" (10.2cm) junction box.
SOCKET: Porcelain body, nickel-plated copper shell.	WIRE LEADS: 6" (15.2cm) long.	UL LISTING: File No. E57013

Model No.	Description	Quantity/ Carton	Weight/Carton
1801G00003	Fixture Housing	25	29 lb. (13.2kg)
1801000004	Globe for 1801	25	27 lb. (12.3kg)

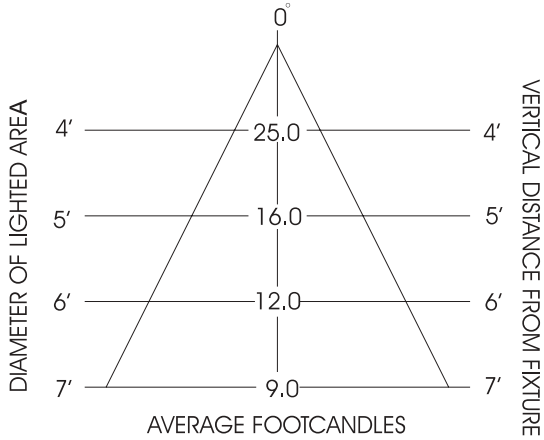


ITEM # 1801

RECESSED CANOPY HOOD FIXTURES LIGHT OUTPUT

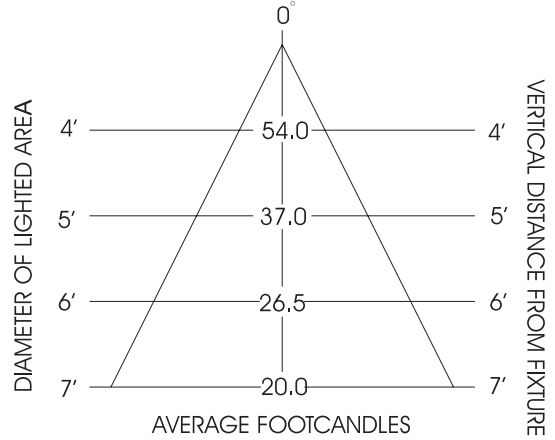
Use the light output charts on this page to determine the models and quantity of recessed hood fixtures for each job.

MODEL 1812-212



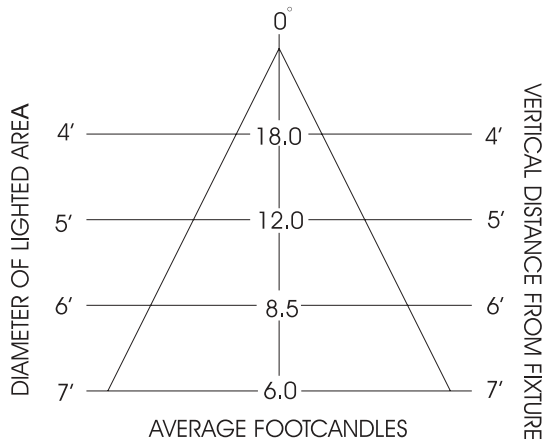
12" SQUARE FIXTURE
USING A 150-WATT BULB

MODEL 1824-1336



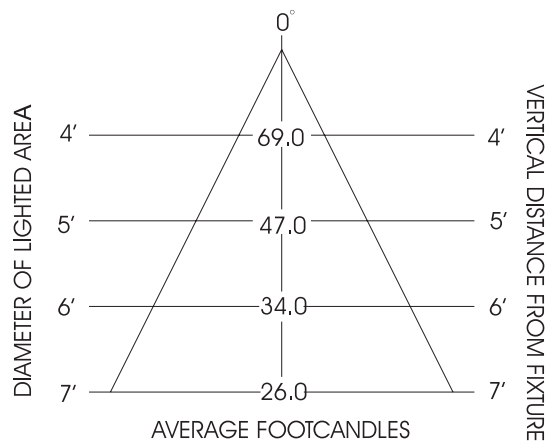
36" LONG FIXTURE
USING (2) 25-WATT T-8 FLUORESCENT TUBES

MODEL 1812-214



12" SQUARE FIXTURE
USING (2) 13-WATT FLUORESCENT TUBES

MODEL 1824-1348



48" LONG FIXTURE
USING (2) 32-WATT T-8 FLUORESCENT TUBES